

Avocent DSR Integration for a Smooth Migration to Raritan

Not all KVM-over-IP solutions are the same - features, advantages and benefits vary from manufacturer to manufacturer. Perhaps you already have an Avocent KVM-over-IP solution, but are looking at Raritan as an alternative for specific features or superior on-going support. However, you may be concerned that your budget may not allow you to immediately replace your entire Avocent infrastructure

Migrate at Your Own Pace

With Raritan's KVM-over-IP and access solutions, there is no need to immediately rip and replace your existing switches. You can migrate at your own pace, and as your budget allows. With Raritan's Dominion KX II and CommandCenter

Secure Gateway (CC-SG) integration capabilities, Data Center Administrators and Lab Managers can access the servers and PCs controlled by both Avocent DSR and Raritan's Dominion KX II switches **from a single Raritan solution.**

Accessing Avocent DSR Switches with Raritan Dominion KX II and CC-SG

With Raritan's integrated solution the administrator or manager can seamlessly connect or disconnect from servers and PC's connected to a DSR switch without concern for the details:

1. Raritan CIMs are connected to the local port of each DSR and then connected, via CAT5 cable, to the associated Dominion KX II
2. Once configured, an integrated list of all DSR-connected servers is available to the user
3. All servers become accessible nodes through CC-SG
4. The user can connect to a server from the Dominion KX II local port, over IP or via CC-SG



Integration Benefits

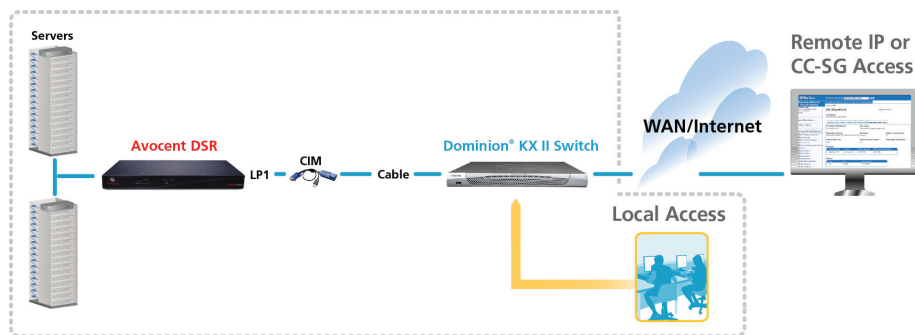
With an integrated solution, you can access both Avocent and Raritan KVM-over-IP switches from a single interface, in whatever manner you choose:

- Local, at-the-rack access
- Anytime, anywhere remote access
- Consolidated access through
- CommandCenter Secure Gateway (CC-SG)

A Smooth Migration Lowers Costs

Integrating Raritan's Dominion KX II and CC-SG with Avocent's DSRs enables you to reduce your total cost of ownership through:

- Gradual migration to a Raritan environment while still supporting your legacy Avocent DSRs
- Transition and replacement of legacy Avocent DSRs over time
- Integration of Avocent connected servers and PC's without disruption or reboot



Recommended Equipment and Ordering Information

Domion KX II Model	Description
DKX2-108	8-port KVM-over-IP switch, 1 remote user, 1 local user, virtual media, dual power
DKX2-116	16-port KVM-over-IP switch, 1 remote user, 1 local user, virtual media, dual power
DKX2-132	32-port KVM-over-IP switch, 1 remote user, 1 local user, virtual media, dual power
DKX2-216	16-port KVM-over-IP switch, 2 remote users, 1 local user, virtual media, dual power
DKX2-232	32-port KVM-over-IP switch, 2 remote users, 1 local user, virtual media, dual power
DKX2-416	16-port KVM-over-IP switch, 4 remote users, 1 local user, virtual media, dual power
DKX2-432	32-port KVM-over-IP switch, 4 remote users, 1 local user, virtual media, dual power
DKX2-464	64-port KVM-over-IP switch, 4 remote users, 1 local user, virtual media, dual power
DKX2-808	8-port KVM-over-IP switch, 8 remote users, 1 local user + 1 extended local port, virtual media, dual power
DKX2-832	32-port KVM-over-IP switch, 8 remote users, 1 local user + 1 extended local port, virtual media, dual power
DKX2-864	64-port KVM-over-IP switch, 8 remote users, 1 local user + 1 extended local port, virtual media, dual power
D2CIM-DVUSB	Enhanced USB CIM required for virtual media (BIOS access), Absolute Mouse Synchronization and smart card/CAC use
D2CIM-VUSB	USB CIM required for virtual media and Absolute Mouse Synchronization
DCIM-PS2	CIM for PS/2 keyboard and mouse
DCIM-USBG2	CIM for USB and SUN USB keyboard and mouse
D2CIM-DVUSB-DVI	Dual USB, DVI-D CIM for BIOS virtual media and advanced features
D2CIM-DVUSB-HDMI	Dual USB, HDMI CIM for BIOS virtual media and advanced features
D2CIM-DVUSB-DP	Dual USB, DisplayPort CIM for BIOS virtual media and advanced features
Domion SX Model	Description
DSXA-8	Dual-feed AC power 8-port secure console server includes internal modem and 1 console port
DSXB-8-M	Single-feed AC power 8-port secure console server includes internal modem and 1 console port
DSXA-16	Dual-feed AC power 16-port secure console server includes internal modem, 1 console port
DSXA-16-DL	Dual-feed AC power, dual-Ethernet, 16-port secure console server, with two local access ports
DSXA-16-DLM	Dual-feed AC power, dual-Ethernet, 16-port secure console server, with one local access port, a built-in modem
DSXA-32	Dual-feed AC power 32-port secure console server includes internal modem, 1 console port
DSXA-32-AC	Dual-feed AC power 32-port secure console server with 2 console ports
DSXA-32-DL	Dual-feed AC power, dual-Ethernet, 32-port secure console server, with two local access ports
DSXA-32-DLM	Dual-feed AC power, dual-Ethernet, 32-port secure console server, with one local access port, a built-in mode
DSXA-48	Dual-feed AC power, dual-Ethernet 48-port secure console server includes internal modem, 1 console port
DSXA-48-AC	Dual-feed AC power, dual-Ethernet, 48-port secure console server with 2 console ports
CommandCenter Secure Gateway Virtual Appliance	Description
CCSG16-VA	CommandCenter Secure Gateway Virtual Appliance - Evaluation Version
CCSG128-VA	CC-SG VA Software and 128 Node License & 1YR of SW Maintenance CCSG128-VA
CommandCenter Secure Gateway Hardware Appliance	Description
DSXA-8	CommandCenter Secure Gateway E1 Appliance & License for 256 nodes + 2YR HW Warranty & 1YR of SW Maintenance
DSXB-8-M	CommandCenter Secure Gateway E1 Appliance & License for 512 nodes + 2YR HW Warranty & 1YR of SW Maintenance
DSXA-16	Cluster Kit: 2 CC-SG E1 Appliances & License for 512 nodes + 2YR HW Warranty on each appliance & 1YR of SW Maintenance
DSXA-16-DL	Cluster Kit: 2 CC-SG E1 Appliances & License for 1024 nodes + 2YR HW Warranty on each appliance & 1YR of SW Maintenance
DSXA-16-DLM	CommandCenter Secure Gateway V1 Appliance & License for 128 nodes + 2YR HW Warranty & 1YR of SW Maintenance
DSXA-32	CommandCenter Secure Gateway V1 Appliance & License for 256 nodes + 2YR HW Warranty & 1YR of SW Maintenance
DSXA-32-AC	Cluster Kit: 2 V1 Appliances & License for 256 nodes + 2YR HW Warranty on each appliance & 1YR of SW Maintenance

Ready to find out more? Contact Raritan today.
Call 1.800.724.8090 or visit www.raritan.com

